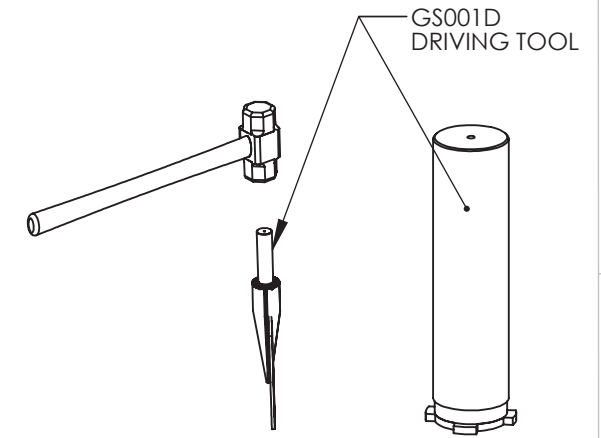
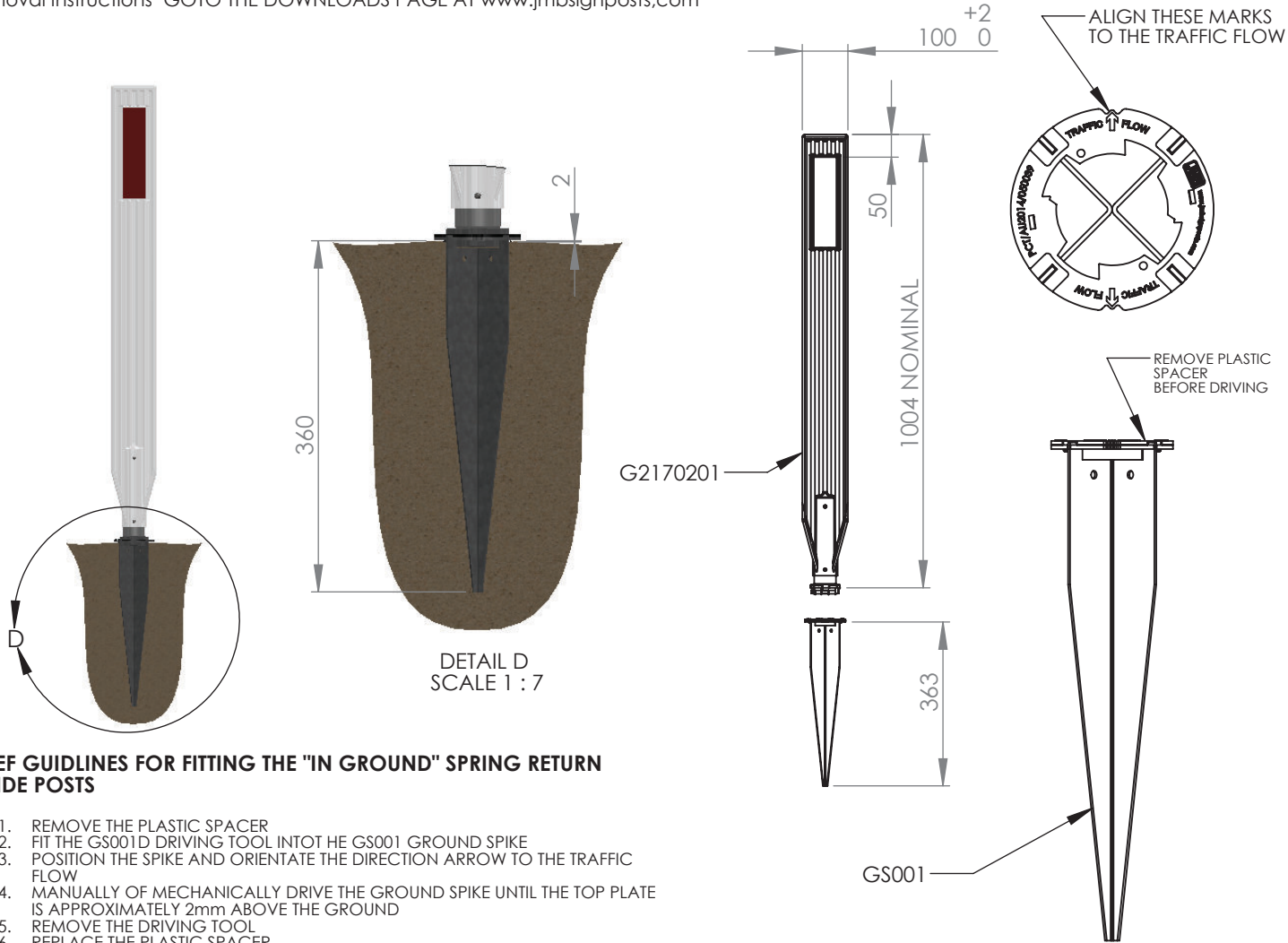
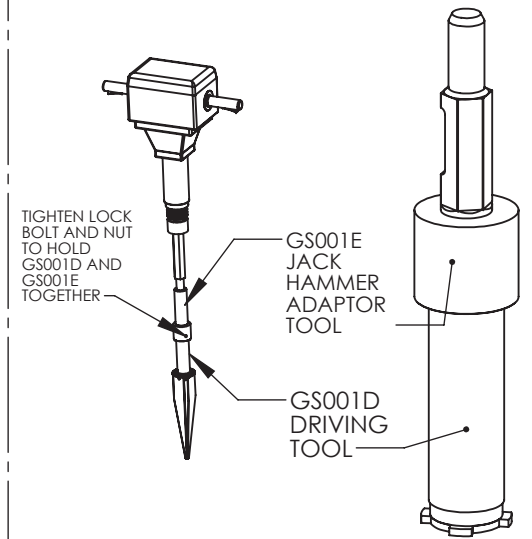


FULL INSTALLATION DETAILS CAN BE FOUND ON OUR JMB INFORMATION SHEET - "Spring Return Guide Post & Driven Ground Spike - Installation Instructions" GOTO THE DOWNLOADS PAGE AT [www.jmb-signposts.com](http://www.jmb-signposts.com)

FULL REMOVAL DETAILS CAN BE FOUND ON OUR JMB INFORMATION SHEET - "Spring Return Guide Post & Driven Ground Spike - Removal Instructions" GOTO THE DOWNLOADS PAGE AT [www.jmb-signposts.com](http://www.jmb-signposts.com)



MANUAL DRIVING METHOD



MECHANICAL DRIVING METHOD

**BRIEF GUIDELINES FOR FITTING THE "IN GROUND" SPRING RETURN GUIDE POSTS**

1. REMOVE THE PLASTIC SPACER
2. FIT THE GS001D DRIVING TOOL INTO THE GS001 GROUND SPIKE
3. POSITION THE SPIKE AND ORIENTATE THE DIRECTION ARROW TO THE TRAFFIC FLOW
4. MANUALLY OR MECHANICALLY DRIVE THE GROUND SPIKE UNTIL THE TOP PLATE IS APPROXIMATELY 2mm ABOVE THE GROUND
5. REMOVE THE DRIVING TOOL
6. REPLACE THE PLASTIC SPACER
7. INSERT THE "TURN AND LOCK" GUIDE POST
8. FIT THE LOCKING SCREW OR PIN IF REQUIRED

**NOTES:**

FURTHER INSTALLATION DETAILS CAN BE FOUND ON OUR JMB INFORMATION SHEET - "Spring Return Guide Post & Driven Ground Spike - Installation Instructions" GOTO THE DOWNLOADS PAGE AT [www.jmb-signposts.com](http://www.jmb-signposts.com)

REMOVAL DETAILS CAN BE FOUND ON OUR JMB INFORMATION SHEET - "Spring Return Guide Post & Driven Ground Spike - Removal Instructions" GOTO THE DOWNLOADS PAGE AT [www.jmb-signposts.com](http://www.jmb-signposts.com)

SCALE	NTS	ALL DIMENSIONS IN MILLIMETERS	QUANTITY	1	DO NOT SCALE IF IN DOUBT ASK
CHECKED	ICB	MATERIAL	NA		
LAST UPDATE	6/03/2015	FINISH	NA		
DRAWN	Ian Brodie	DESCRIPTION	SPRING RETURN GUIDE POSTS TECHNICAL INFORMATION SHEET 1 GENERAL INGROUND INSTALLATION INFORMATION		
DATE	07/07/2014				

**JMB MANUFACTURING PTY LTD**

24 BRIGID BOULEVARD  
AUSTINE HEIGHTS  
QLD AUSTRALIA 4300  
PH. 07 3814 7882  
FAX. 07 3814 7884



ACAD FILE NAME	SH. 3
Generation 2 Products -Technical Information	
Part: SRGP Tech Drawing Assy 1	OF 5